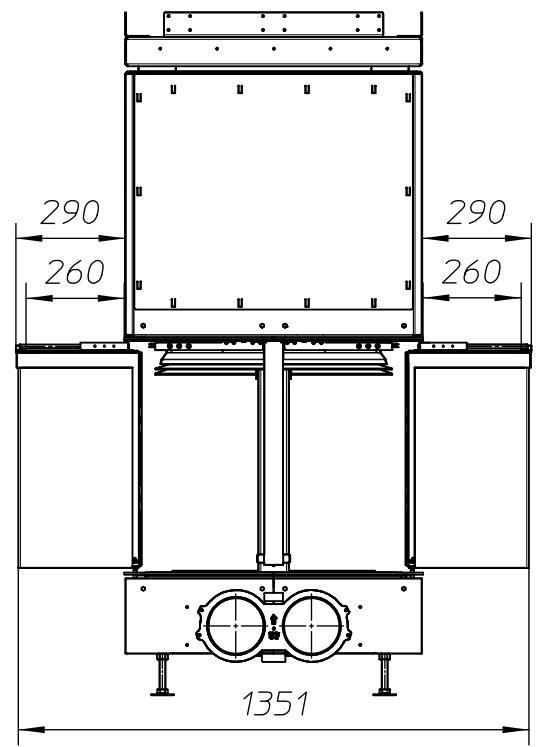


Chimney weight may not exceed 100Kg
If more than 100Kg use brackets to support weight of chimney

Scale 1:25

Standard configuration



4 brackets can be adjusted and used to support finish

Weight of finish on brackets may not exceed 50kg per side

If more than 50Kg forsee brackets to ceiling to hold weight



ULTIME D Patented

Metalfire

Technical Document

ULTIME D MF 700-700-60 WHE 4S

- Dimensions (mm)**
- combustion opening WxH: 790 X 790 X 612
 - external WxDxH: 790 X 790 X 1726
 - fresh air intake: 2 x Ø150
 - flue gas outlet: Ø250
- Technical Data**
- ecolabel: A
 - capacity: 17.1kW
 - efficiency: 79%
 - CO (volume with 13%O2): 0.07%
 - dust (volume with 13%O2): 31mg/Nm3
 - weight: 400kg
 - convection air inlet: /
 - convection air outlet: min.700cm2 (4 x Ø150)

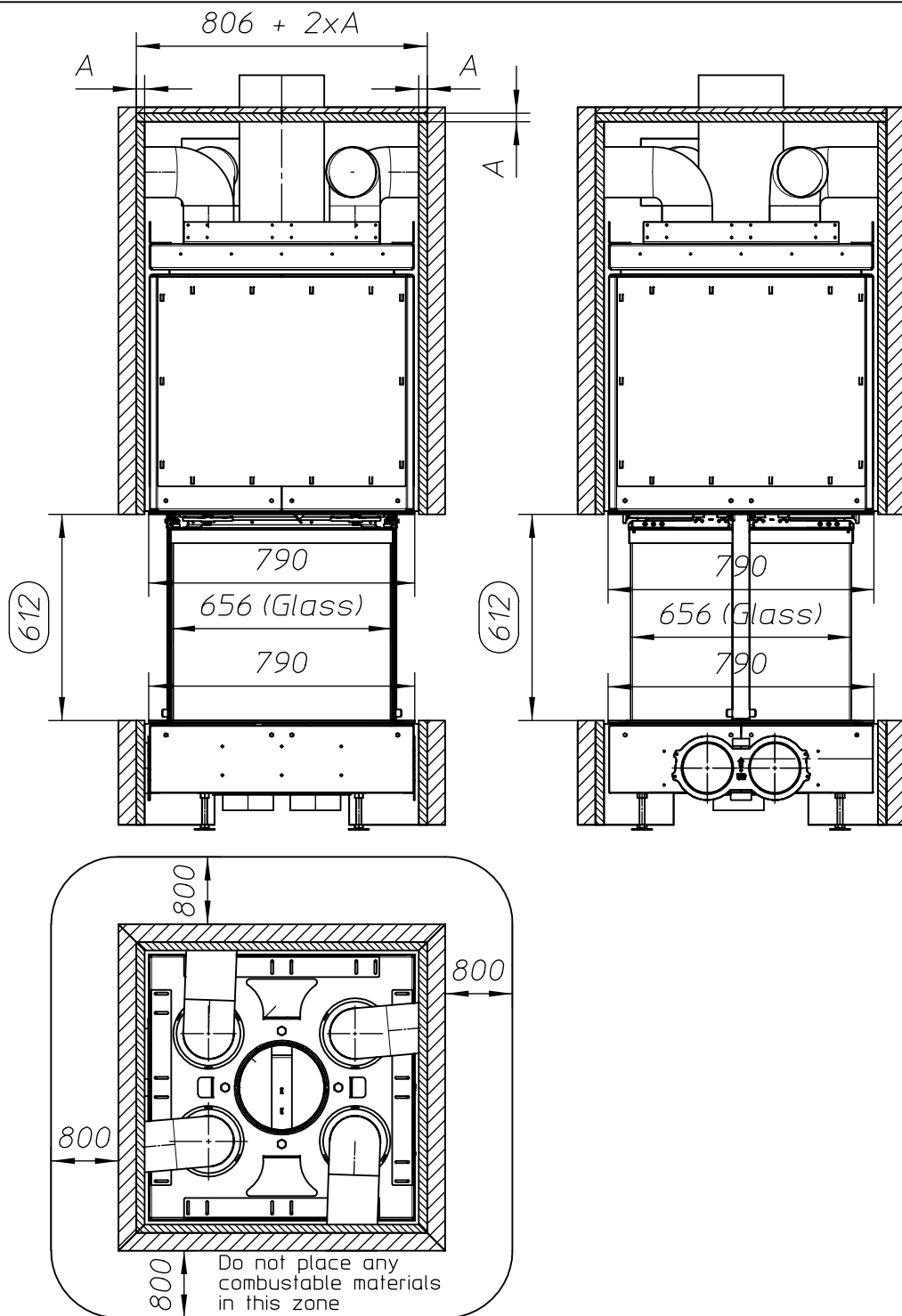
First aid and technical support:

- support@metalfire.eu
- +32 9 261 51 90

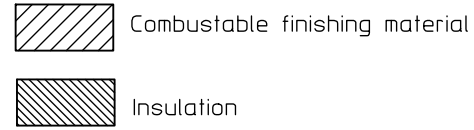
scale 1:20 Rev. A.1

www.metalfire.eu EN 13229 CE

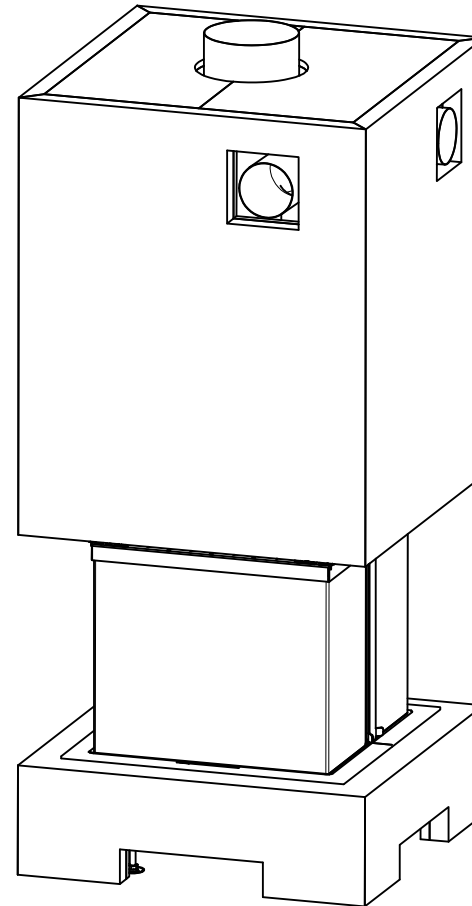
General dimensional tolerances up to 6mm Sheet 1/5
Metalfire preserves the right to modify specifications without previous notice



Without finishing frame



4 x heated convection air



ULTIME D Patented

Metalfire

Technical Document

ULTIME D MF 700-700-60 WHE 4S

Prescribed insulation thickness (mm)

Combustable finishing material

Metalfire recommended
SILCA T 300
(TC = 0,09 W/mK)

A = 25mm

Non-combustable finishing material

non-combustable
materials
structural building items
EXCLUDED e.g. load bearing walls

-

TC = thermal conductivity NC = non-combustable

First aid and technical support:

- support@metalfire.eu
- +32 9 261 51 90

scale 1:20

Rev.
A.1

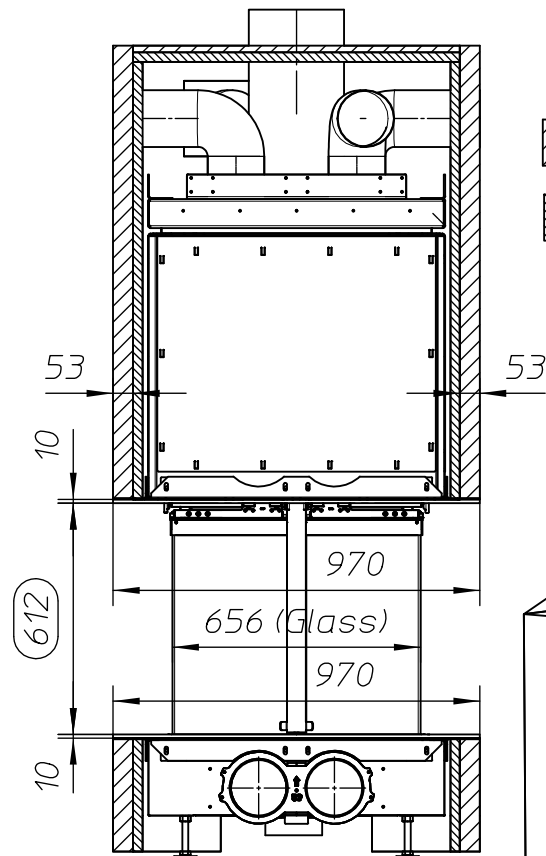
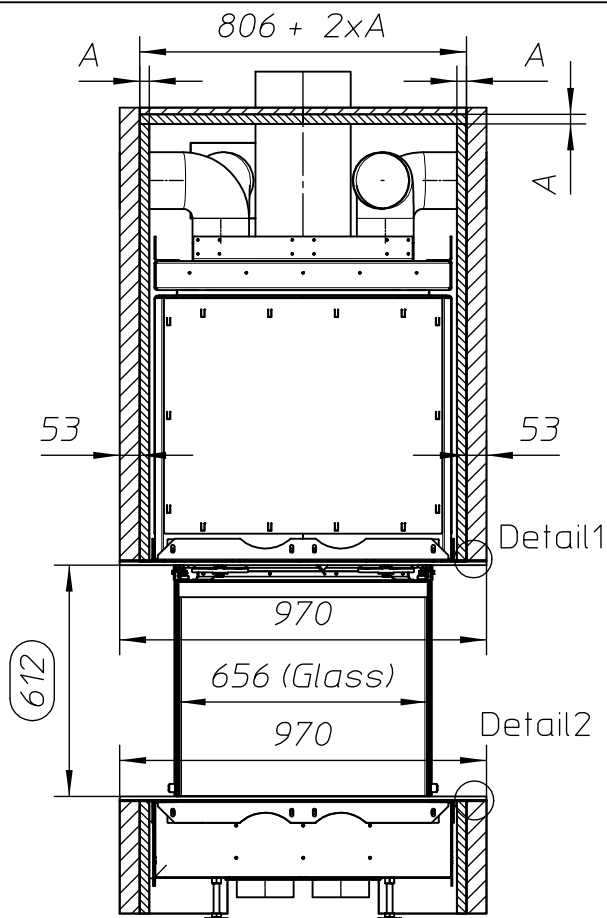
www.metalfire.eu

EN 13229

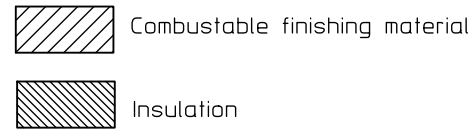
CE

General dimensional tolerances up to 6mm
Metalfire preserves the right to modify specifications without previous notice

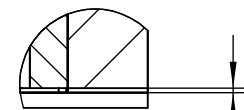
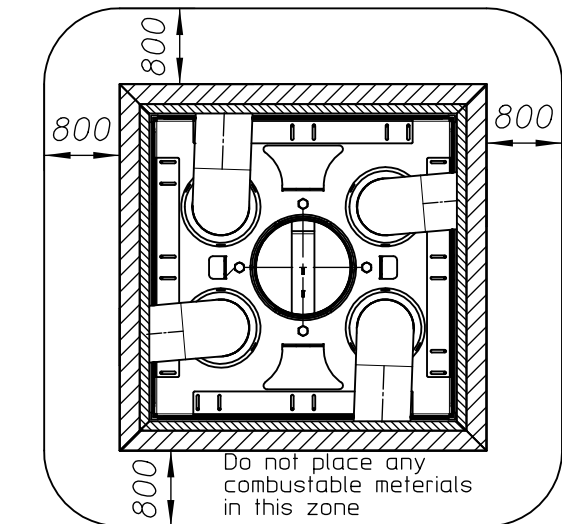
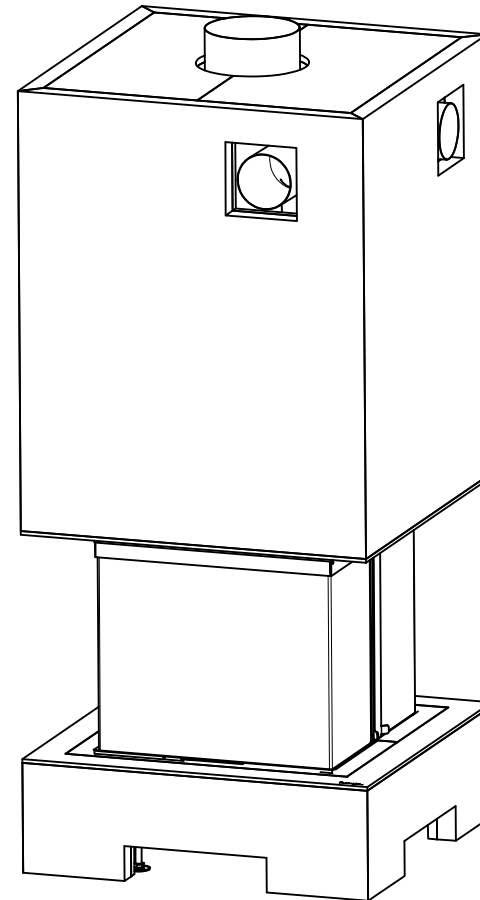
Sheet
2/5



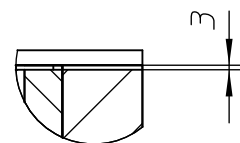
With finishing frame 90/10



4 x heated convection air



Detail1
Scale 1:5



Detail2
Scale 1:5

ULTIME D Patented

Metalfire

Technical Document

ULTIME D MF 700-700-60 WHE 4S

Prescribed insulation thickness (mm)

Combustable finishing material

Metalfire recommended
SILCA T 300
(TC = 0,09 W/mK)

A = 25mm

Non-combustable finishing material

non-combustable
materials
structural building items
EXCLUDED e.g. load bearing walls

-

TC = thermal conductivity NC = non-combustable

First aid and technical support:

- support@metalfire.eu
- +32 9 261 51 90

scale 1:20

Rev.
A.1

www.metalfire.eu

EN 13229

CE

General dimensional tolerances up to 6mm
Metalfire preserves the right to modify specifications without previous notice

Sheet
3/5

Standard Configuration With Firescreen

ULTIME D Patented

Metalfire

Technical Document

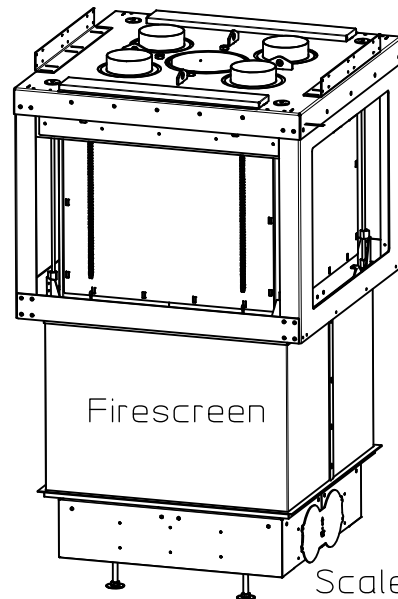
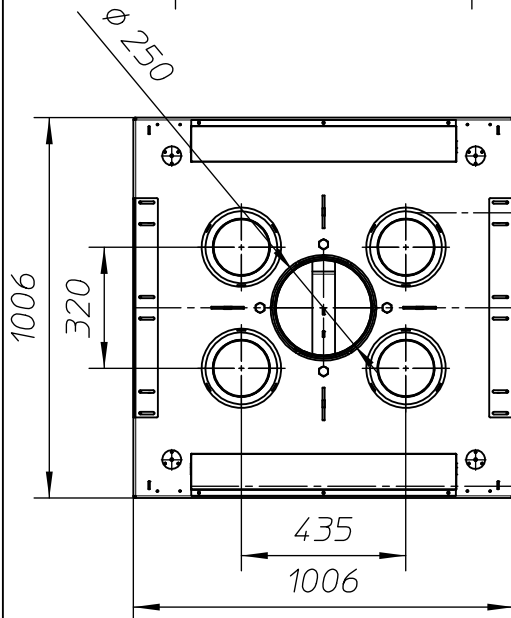
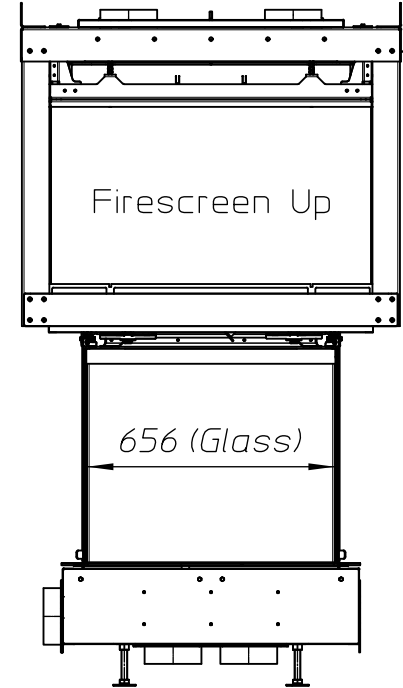
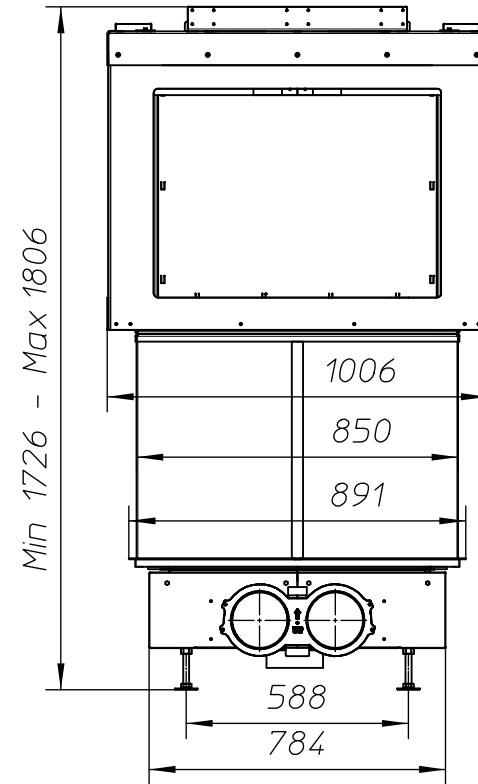
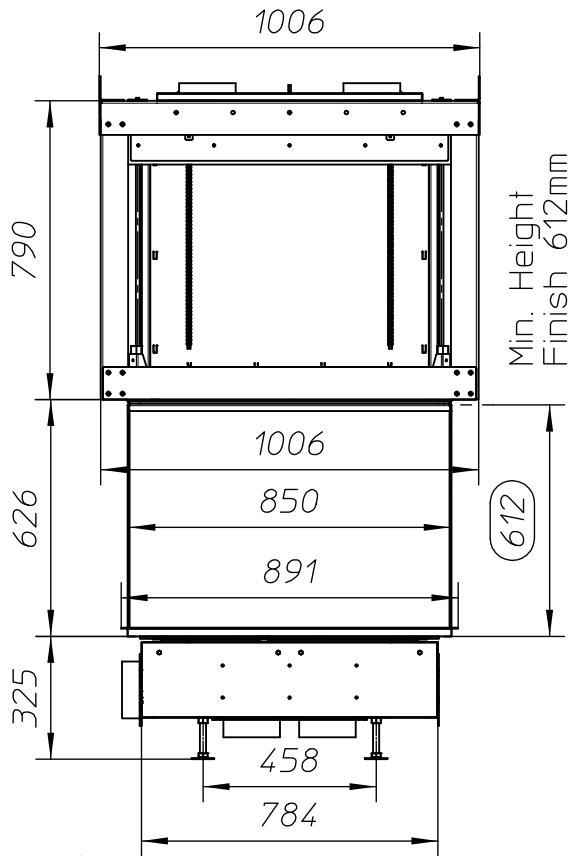
ULTIME D MF 700-700-60 WHE 4S

Dimensions (mm)

- combustion opening WxH: 1006 X 1006 X 612
- external WxDxH: 1006 X 1006 X 1726
- fresh air intake: 2 x Ø150
- flue gas outlet: Ø250

Technical Data

- ecolabel: A
- capacity: 17.1kW
- efficiency: 79%
- CO (volume with 13%O₂): 0.07%
- dust (volume with 13%O₂): 31mg/Nm³
- weight: 400kg
- convection air inlet: /
- convection air outlet: min.700cm² (4 x Ø150)



Chimney weight may not exceed 100Kg

If more than 100Kg use brackets to support weight of chimney

4 brackets can be adjusted and used to support finish

Weight of finish on brackets may not exceed 50kg per side

If more than 50Kg forsee brackets to ceiling to hold weight



First aid and technical support:

- support@metalfire.eu
- +32 9 261 51 90

scale 1:20

Rev. A.1

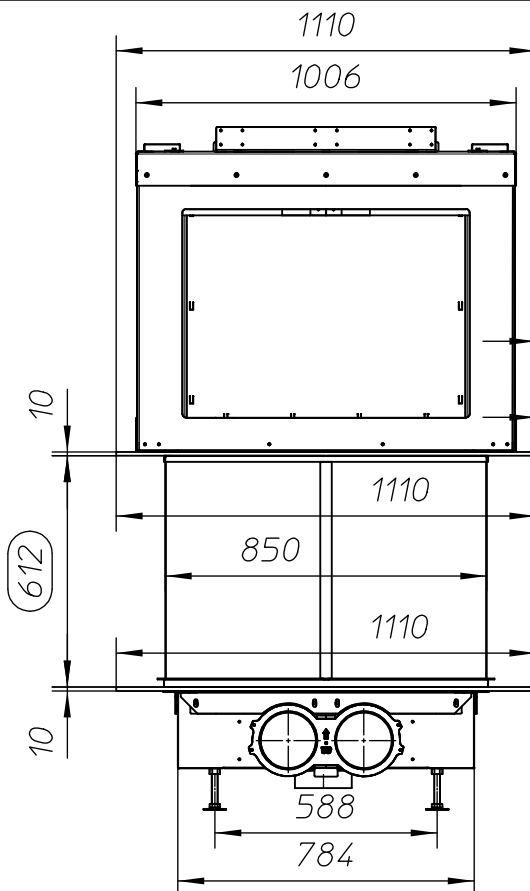
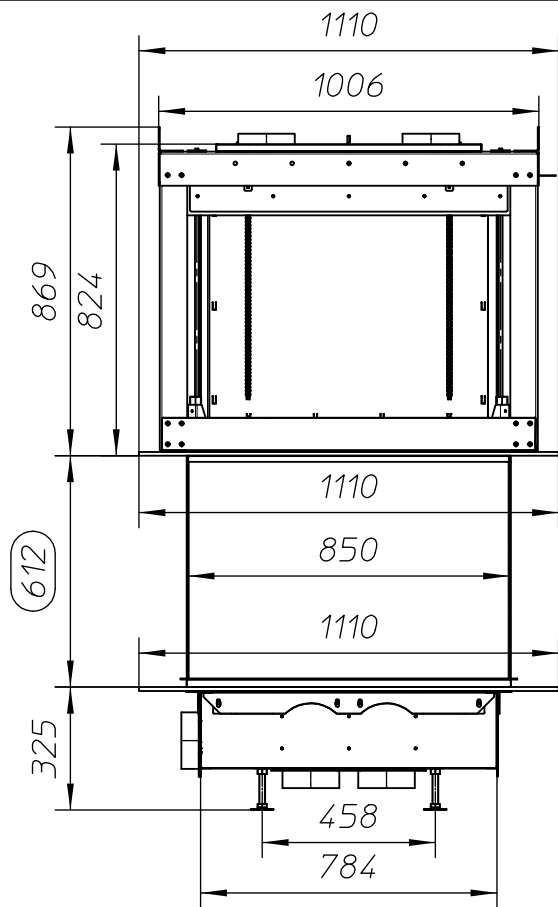
www.metalfire.eu

EN 13229

CE

General dimensional tolerances up to 6mm
Metalfire preserves the right to modify specifications without previous notice

Sheet 4/5



Configuration with firescreen and finish frame 160/10

126 Opening door outside

98 Opening door inside

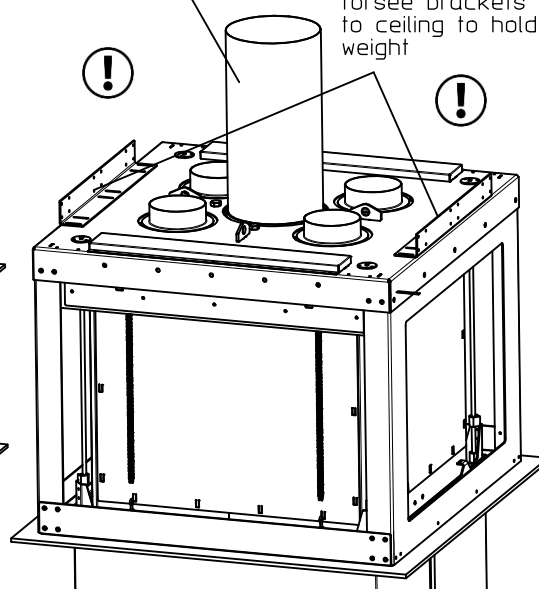
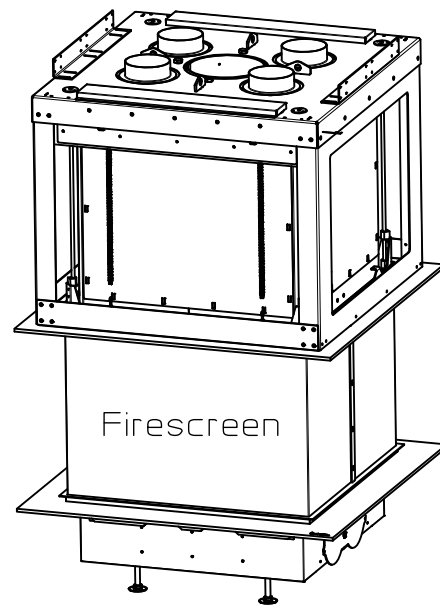
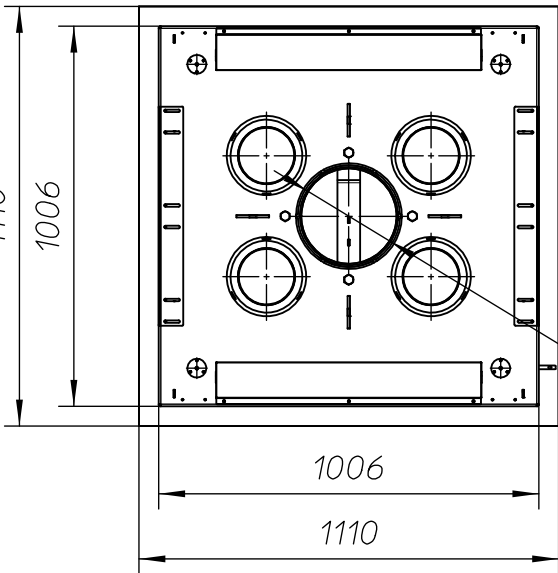
Chimney weight may not exceed 100Kg

If more than 100Kg use brackets to support weight of chimney

4 brackets can be adjusted and used to support finish

Weight of finish on brackets may not exceed 50kg per side

If more than 50Kg foresee brackets to ceiling to hold weight



ULTIME D Patented

Metalfire

Technical Document

ULTIME D MF 700-700-60 WHE 4S

Dimensions (mm)

- combustion opening WxH: 1006 X 1006 X 612
- external WxDxH: 1006 X 1006 X 1726
- fresh air intake: 2 x Ø150
- flue gas outlet: Ø250

Technical Data

- ecolabel: A
- capacity: 17.1kW
- efficiency: 79%
- CO (volume with 13%O₂): 0.07%
- dust (volume with 13%O₂): 31mg/Nm³
- weight: 400kg
- convection air inlet: /
- convection air outlet: min.700cm² (4 x Ø150)

First aid and technical support:

- support@metalfire.eu
- +32 9 261 51 90

scale 1:20

Rev. A.1

www.metalfire.eu

EN 13229

CE

General dimensional tolerances up to 6mm
Metalfire preserves the right to modify specifications without previous notice

Sheet 5/5